

► Technical Specifications

Principle	Tri-angle laser scattering, flow cytometry for WBC differential and countImpedance for RBC and PLT countCyanide-free method for HGB
Parameters	28 parameters: WBC, BAS#, BAS%, NEU#, NEU%, EOS#, EOS%, LYM#, LYM%, MON#, MON%, RBC, HGB, MCV, MCH, MCHC, RDW-CV, RDW-SD, HCT, PLT, MPV, PDW-CV, PDW-SD, PCT, P-LCR, P-LCC, NLR, PLR 8 research parameters: LIC%, LIC#, ALY%, ALY#, NRBC%, NRBC#, PLT Clumps%, PLT Clumps# 2 histograms for RBC and PLT4 scattergrams for WBC differential
Throughput	80 samples per hour
Calibration	Manual, auto and fresh blood calibration
Quality control	3 level QC, L-J graph, X-B
Sample volume(WB)	Open vial: ≤ 15μL, Auto-loading&pre-diluted: ≤ 20μL
Printout	Support USB color printer, Support external printer, PCL6
Maintenance	Sample probe auto-cleaning
Interface	4 USB ports, 1 Network port, HL7 protocol, support Bi-directional LIS
Blockage clear	High voltage, high pressure flush
Power	AC 100-240V, 50/60±1Hz
Dimension	685(D)mm x 580(W)mm x 560(H)mm
Weight	55kg
Display	10.4-inch color touch screen (LCD)
Storage	60,000 sample results with scattergrams and histograms

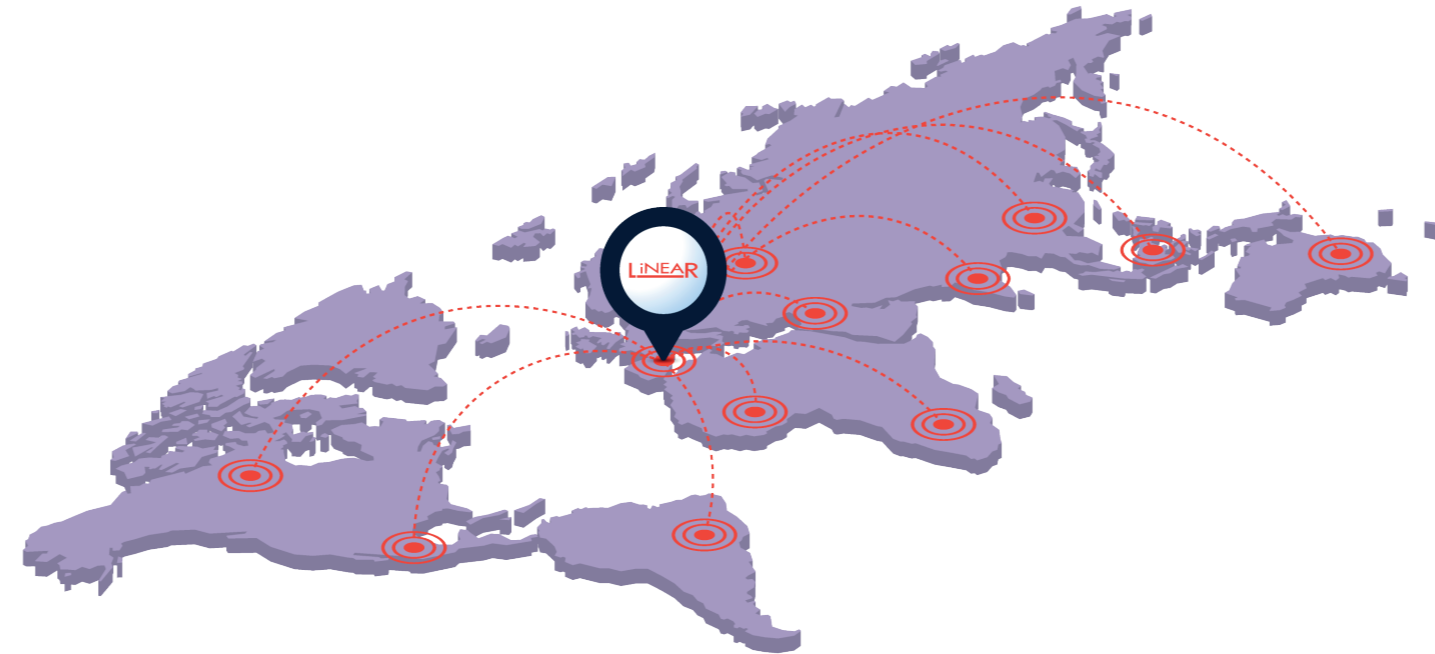
► Performance

Parameters	Whole blood precision (CV)	
WBC	≤ 2.0%	(4.0 - 15.0)×10 ⁹ /L
RBC	≤ 2.0%	(3.5 - 6.0)×10 ¹² /L
HGB	≤ 1.5%	(110.0 - 180.0)g/L
MCV	≤ 1.0%	(70.0 - 120.0)fL
PLT	≤ 5.0%	(100.0 - 149.0)×10 ⁹ /L
	≤ 4.0%	(150.0 - 500.0)×10 ⁹ /L

Parameters	Linearity range
WBC	(0-500.0)×10 ⁹ /L
RBC	(0-8.00)×10 ¹² /L
HGB	(0-250)g/L
PLT	(0-5000)×10 ⁹ /L

► From Barcelona, to the World

More than 25 years with you, present in over 120 countries.



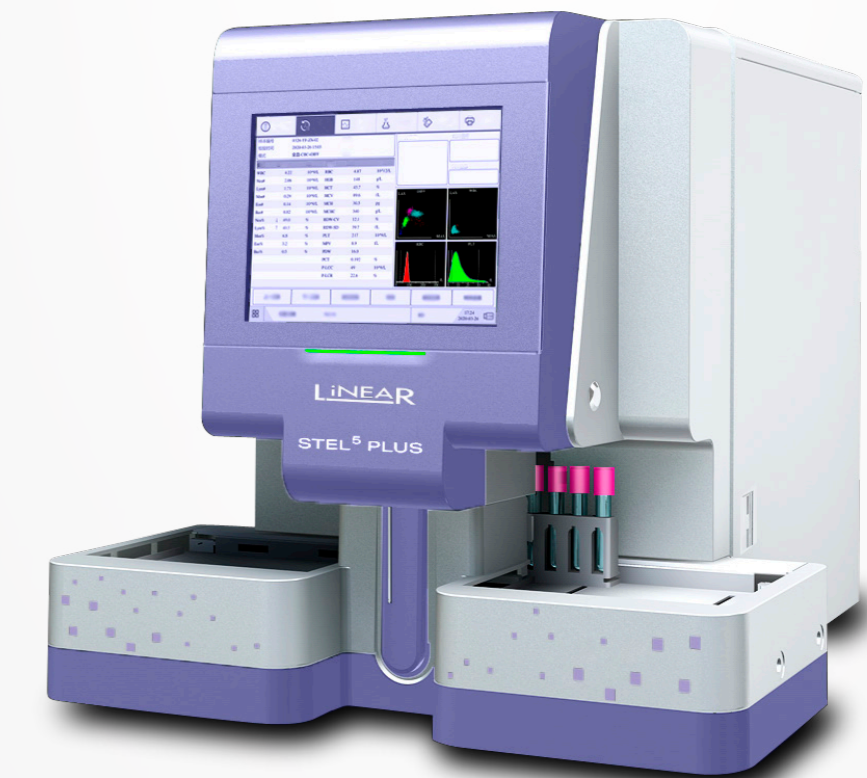
► Order Information

REF	Description
3803200	STEL ⁵ PLUS Autoloader Hematology Analyzer
3803210	STEL ⁵ PLUS LD Lyser (1L)
3803212	STEL ⁵ PLUS LH Lyser (200mL)
3803205	STEL ⁵ PLUS Diluent (20L)
3803220	STEL ⁵ PLUS Probe Cleanser (50mL)
3803225	STEL ⁵ PLUS Controls 3x3mL
3803230	STEL ⁵ PLUS CAL 1x3mL

LINEAR 1994
since
Trust in 25 years of Experience

STEL⁵ PLUS

Autoloader Hematology Analyzer



Simply Better

Advanced Technology

Reliable Innovation

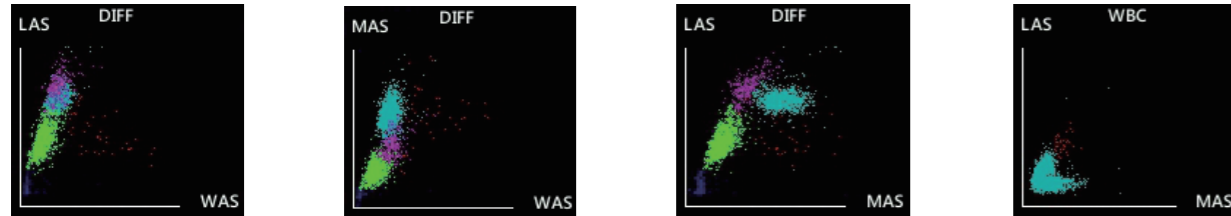
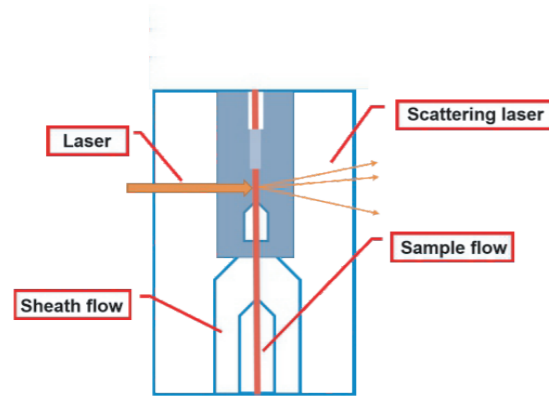
Tri-angle laser scattering and flow cytometry

STEL-5 Autoloader Auto Hematology Analyzer is a real 5-Part auto hematology analyzer. It uses 3 reagents to differentiate and count blood cells.

Diff lyse is added to differentiate 4 kinds of WBC(Lym, Mon, Neu and Eos), LH lyse is used to differentiate Bas and count WBC. Besides, there is a dedicated channel for Bas differentiation.

Surrounded with sheath fluid(diluent), blood cells pass through the center of the flow cell one by one at high speed.

The tri-angle laser scattering contributes to more accurate counting. When passing through the flow cell, blood cells are exposed to a laser beam. The intensity of scatter light reflects the blood cell size and intracellular density. The optical detector receives scatter light signals and converts them into electrical pulses. Pulse data is collected to generate a scattergram.



Unique Design

Smart counting mode

Including L-WBC, L-PLT and L-WBC/PLT modes.

When the instrument has a "WBC decrease" or "PLT decrease" Flag alarm, select the Smart Counting Mode and retest the sample.

Use a larger amount of data to ensure measurement accuracy for low level samples.

Better repeatability for low WBC, low PLT sample

Simply Better

Reliable hardware, accurate results

Long-life semiconductor laser to differentiate WBC into 5 parts

Ceramic syringe to assure precise reagent or sample aspiration

Premium liquid parts (SMC valves and KNF pump) and simplified liquid system

User-friendly design

Built-in vortical barcode scanner (Optional)
4 USB +1 Network ports

Auto sample mixer

Auto loading track

Closed tube available
80 tests/hour

Emergency sample first

Support emergency sample insert
& open vial loading mode

Built-in operating system

No extra PC required
10.4-inch touch screen

Smart Data management Unit

User-friendly interface

Patient information transmission by LIS
Hierarchical menu display
Validate/transmit/print classified review

Powerful & High efficiency

Enhanced data management
Results transport & management in real time
iMessage& clinical flag information alarm

Flexible customization

Multiple parameter settings editable
User-defined print format
One-click QC input

Applicable reagent

Only 3+1 reagents:

- ① STEL⁵ PLUS LD Lyser (1L)
- ② STEL⁵ PLUS LH Lyser (200mL)
- ③ STEL⁵ PLUS Diluent (20L)
- ④ STEL⁵ PLUS Probe Cleanser (50mL)

